



## KEY FEATURES

- Multi wattage flicker-free driver: 8w/11w/15w/18w (100-110 lm/w)
- Long lifetime of 100.000 L80B10 and >50.000 L90B50
- Dimensions Ø300mm x 71mm
- IP65/IK10
- CCT switch (3000K / 4000K / 5000K) (3 colors in 1, adjustable via dipswitches)
- 3 and 2 STEP-Dim Sensor (100%-25%-0%) or (100%-25%)
- Sensor sensitivity can be adjusted by dipswitches between 1-6 meters
- Wired Master-slave possibilities
- 3 frame colours (white RAL9003 / black RAL9004 / grey RAL7016)
- 3 different frame models: Standard Ø300mm, Half moon and Extra Ø370mm
- Frame is not included, mandatory to order separately
- Emergency battery back-up 3H autonomy (manual)

IP65 IK10 110<sub>LM/W</sub> 120°

**5** PRAGMALUX  
YEAR  
WARRANTY

## DETAILS



Modular design



Back

## OPTIONS



## ACCESSORIES



Frame Ø300 White  
1000169



Frame Ø300 Black  
1000183



Frame Ø300 Grey  
1000176



Frame Ø370 White  
1001081



Frame Ø370 Black  
1001104



Frame Ø370 Grey  
1001098



Master-Slave cable  
1000213

## SPECIFICATIONS

ITEM CODE	DESCRIPTION	W	LM	LM/W	KELVIN	CRI	INPUT CURRENT	LIFETIME L80
1000152	LED Bulkhead Venus G2 IP65 8W-18W 3000K-5000K 3-CCT 900-2025lm Ø300	8-18	900-2025	110-116	3000/4000/5000	≥80	120	100000
1000152-N	LED Bulkhead Venus G2 IP65 8W-18W 3000K-5000K 3-CCT 900-2025lm Ø300 Emergency	8-18	900-2025	110-116	3000/4000/5000	≥80	120	100000
1000152-S	LED Bulkhead Venus G2 IP65 8W-18W 3000K-5000K 3-CCT 900-2025lm Ø300 Sensor	8-18	900-2025	110-116	3000/4000/5000	≥80	120	100000
1000152-SN	LED Bulkhead Venus G2 IP65 8W-18W 3000K-5000K 3-CCT 900-2025lm Ø300 Sensor + Emergency	8-18	900-2025	110-116	3000/4000/5000	≥80	120	100000
1000152-DS	LED Bulkhead Venus G2 IP65 8W-18W 3000K-5000K 3-CCT 900-2025lm Ø300 Daylight Sensor	8-18	900-2025	110-116	3000/4000/5000	≥80	120	100000
1000152-DSN	LED Bulkhead Venus G2 IP65 8W-18W 3000K-5000K 3-CCT 900-2025lm Ø300 Daylight Sensor + Emergency	8-18	900-2025	110-116	3000/4000/5000	≥80	120	100000

## TECHNICAL DATA

ELECTRICAL DATA	
Voltage (V)	220-240
Frequency (Hz)	50/60
Power factor (λ)	≥0.9
Operating mode	Integrated LED Driver
Electrical connection	Max 3x2,5 mm <sup>2</sup> wire
Total harmonic distortion	≤ 20 %
TEMPERATURES & OPERATING CONDITIONS	
Ambient temperature	25°C
Operating temperature	-20 ~ +45°C
Storage temperature	-20 ~ +60°C
COLORS & MATERIALS	
Color ( Housing)	WhiteRAL9016 BlackRAL9004 GreyRAL7016
Material ( Housing)	PC
Material ( Reflector)	PC

## CERTIFICATES & STANDARDS

Driver certificates	CE
Fixture certificates	CE
Ingress protection	IP65
Protection class	I
Protection class IK	10
IEC	EN IEC 62722-2-1
LM80 (TM21 /) L90B50 (hours)	>50,000

## CAPABILITIES

Dimmable	No
Type of connection	Push Terminal, 3-pole
LED Module replacable	No
Installation	Through-wiring Possible

ITEM CODE	DESCRIPTION	DRIVER FAILURE RATE AT 5,000H	INRUSH CURRENT IPEAK (A)	INRUSH CURRENT TWIDTH (µs)	MAX. NO. OF DRIVERS ON MCB TYPE B 10A	MAX. NO. OF DRIVERS ON MCB TYPE B 16A	MAX. NO. OF DRIVERS ON MCB TYPE C 10A	MAX. NO. OF DRIVERS ON MCB TYPE C 16A
1000152	LED Bulkhead Venus G2 IP65 8W-18W 3000K-5000K 3-CCT 900-2025lm Ø300	≤1%	17.5	216	17	27	28	45
1000152-N	LED Bulkhead Venus G2 IP65 8W-18W 3000K-5000K 3-CCT 900-2025lm Ø300 EM	≤1%	17.5	216	17	27	28	45
1000152-S	LED Bulkhead Venus G2 IP65 8W-18W 3000K-5000K 3-CCT 900-2025lm Ø300 S	≤1%	17.5	216	17	27	28	45
1000152-SN	LED Bulkhead Venus G2 IP65 8W-18W 3000K-5000K 3-CCT 900-2025lm Ø300 S+EM	≤1%	17.5	216	17	27	28	45
1000152-DS	LED Bulkhead Venus G2 IP65 8W-18W 3000K-5000K 3-CCT 900-2025lm Ø300 DS	≤1%	17.5	216	17	27	28	45
1000152-DSN	LED Bulkhead Venus G2 IP65 8W-18W 3000K-5000K 3-CCT 900-2025lm Ø300 DS+EM	≤1%	17.5	216	17	27	28	45

## EXTRA



Black



Grey

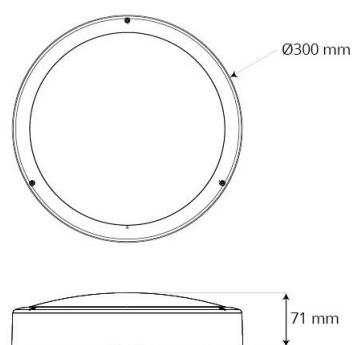


Sensor

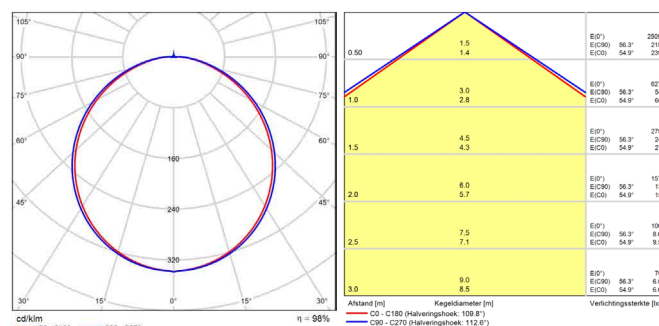


CCT/Multi wattage Switch

## DIMENSIONS



## PHOTOMETRIC SPECIFICATIONS LED BULKHEAD VENUS G2 16W 4000K



## EXTRA INFORMATION

### DIP-SWITCHES

	W			Im			W			Im		
	3000K	4000K	5000K	3000K	4000K	5000K	3000K	4000K	5000K	3000K	4000K	5000K
High (100%)	8	900	925	925	11	1250	1275	1275	15	1650	1675	1675
Low (25%)	2	225	231	231	2.7	313	319	319	3.8	413	419	419
										4.5	500	506

## MASTER-SLAVE (MAX. 10)

